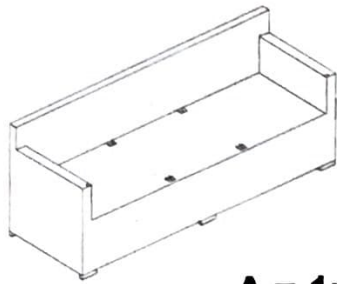
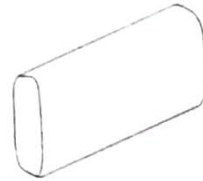


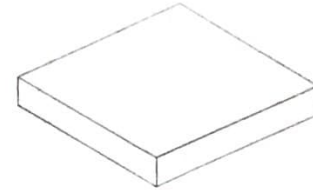
OP1



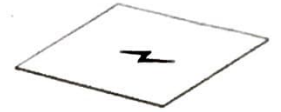
A = 1pc



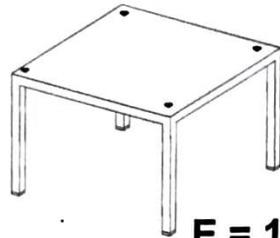
B = 3pcs



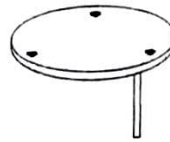
C = 5pcs



D = 1pc



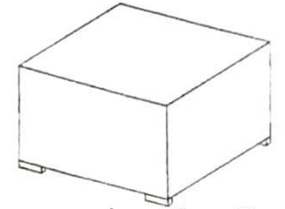
E = 1pc



F = 2pcs

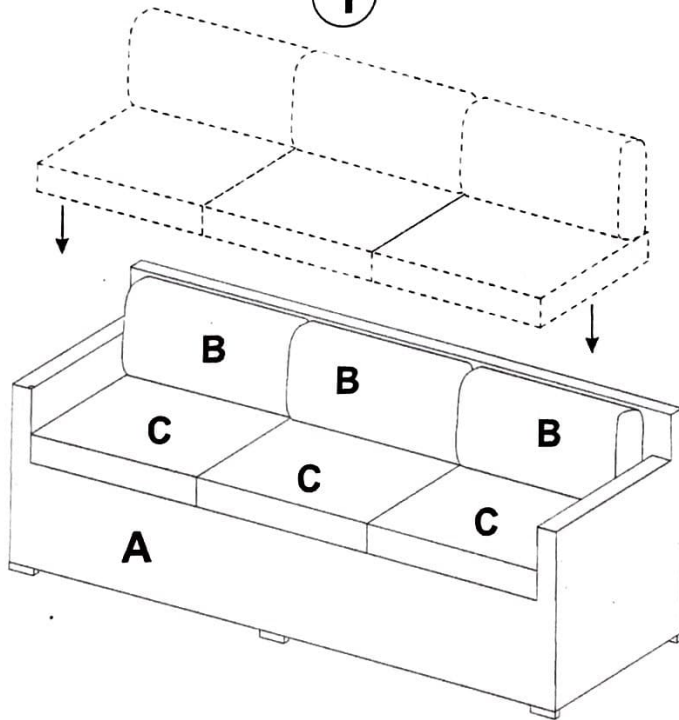


G = 2pcs

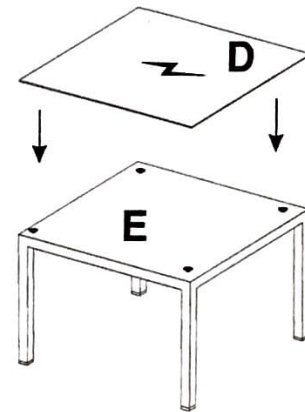


H = 2pcs

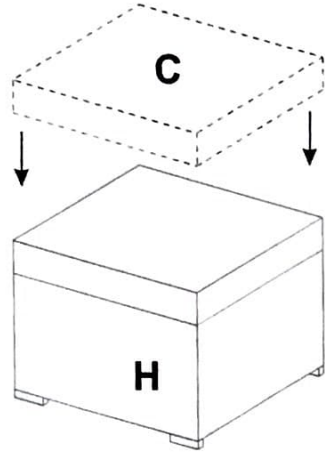
1



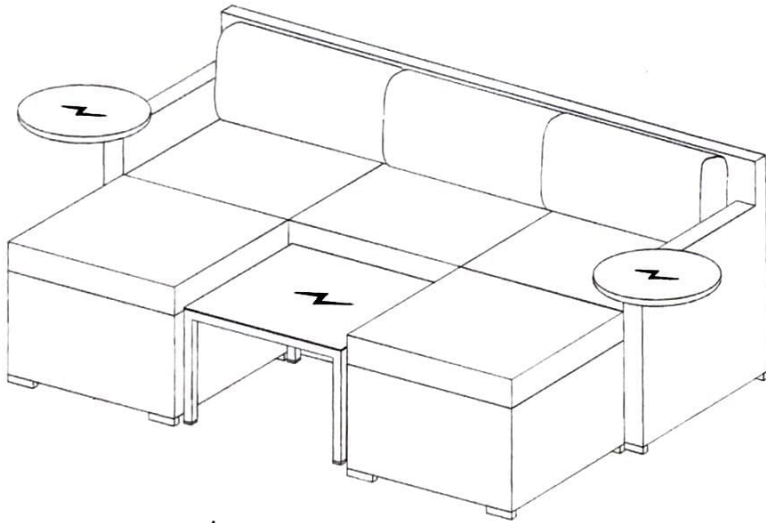
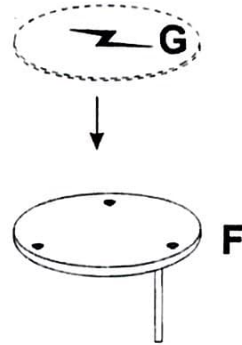
2



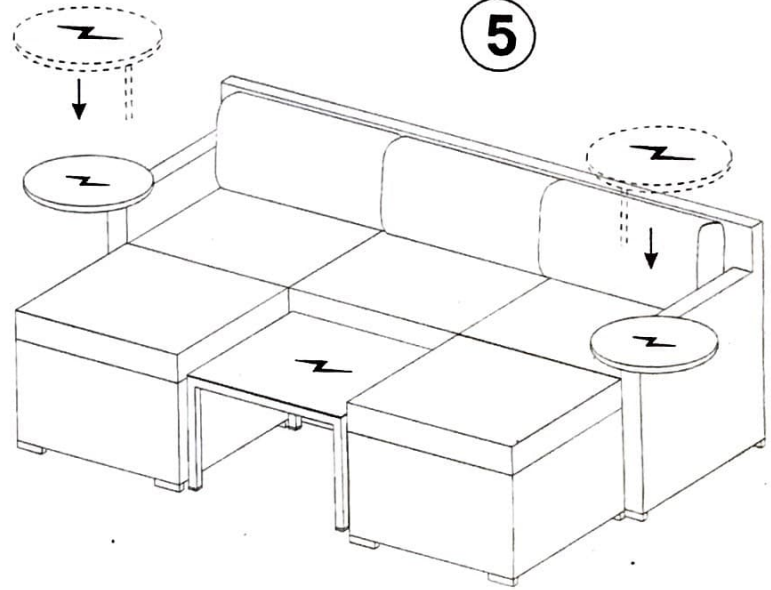
3

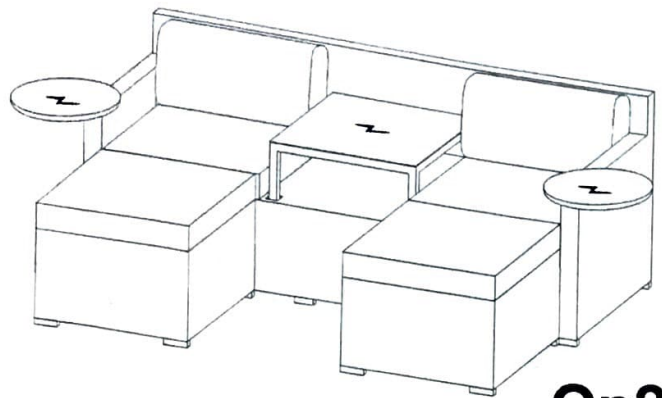


4

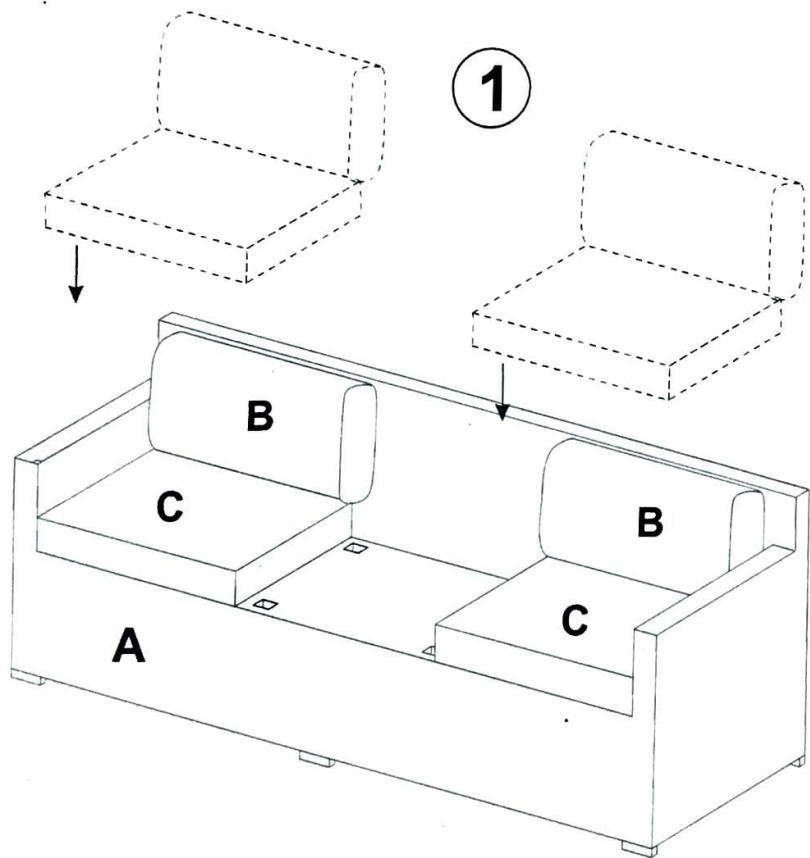


5

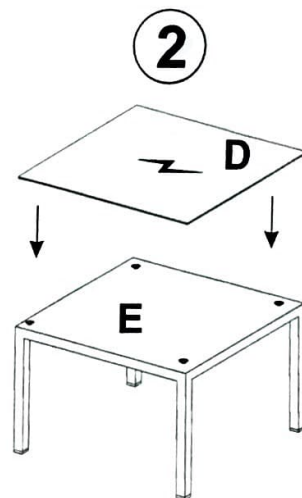




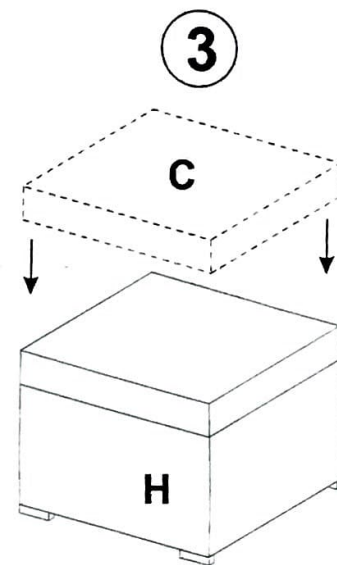
Op2



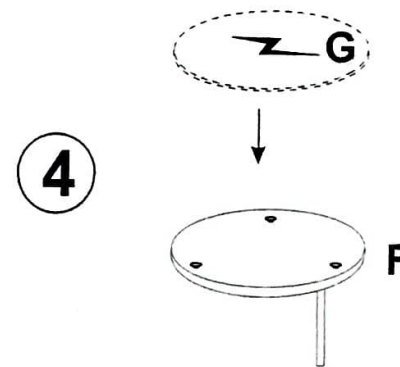
1



2



3



4

